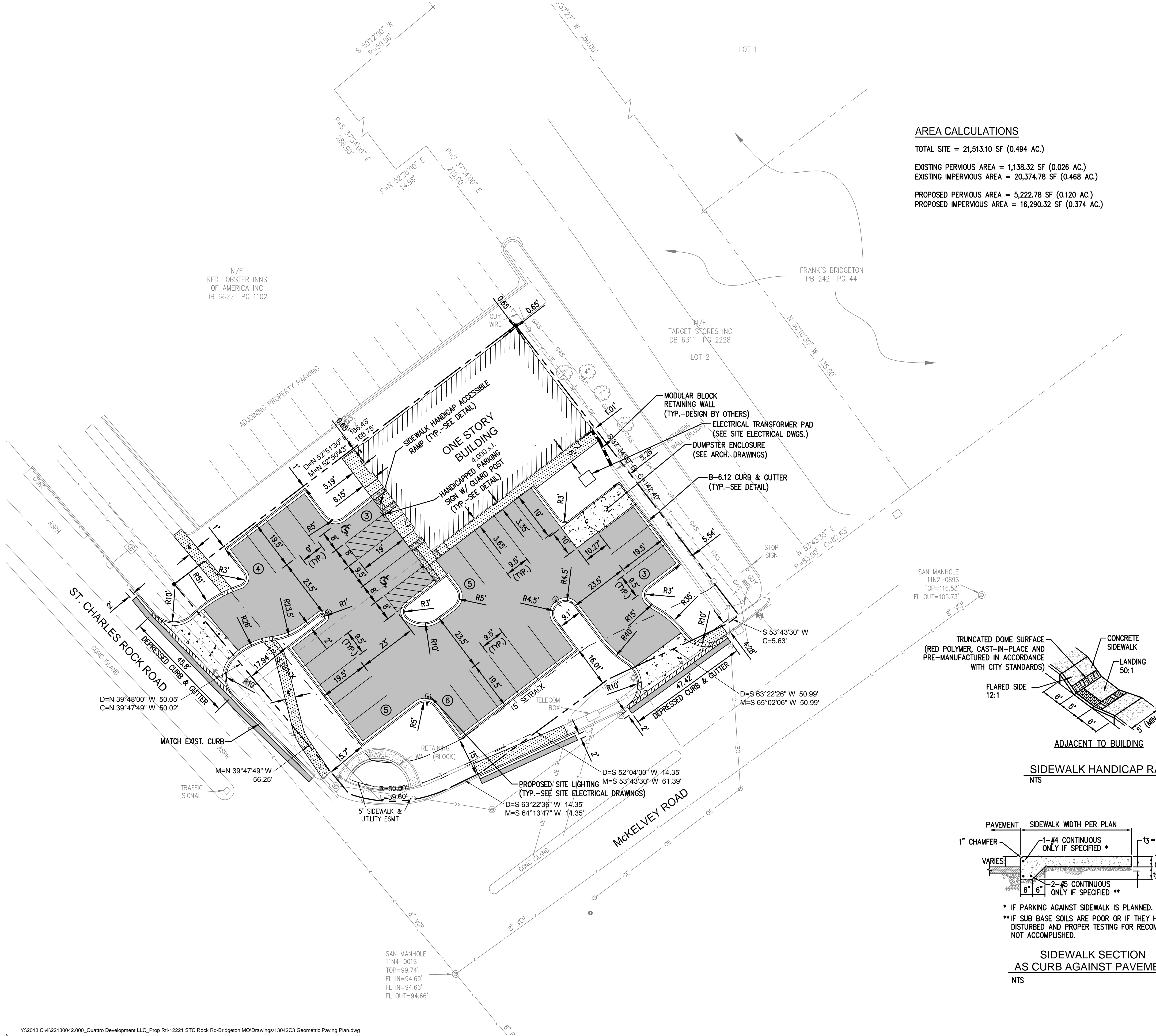
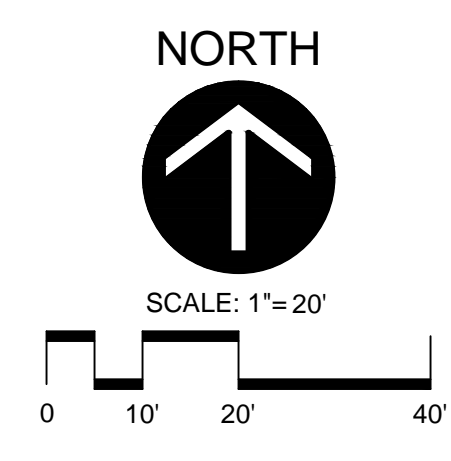
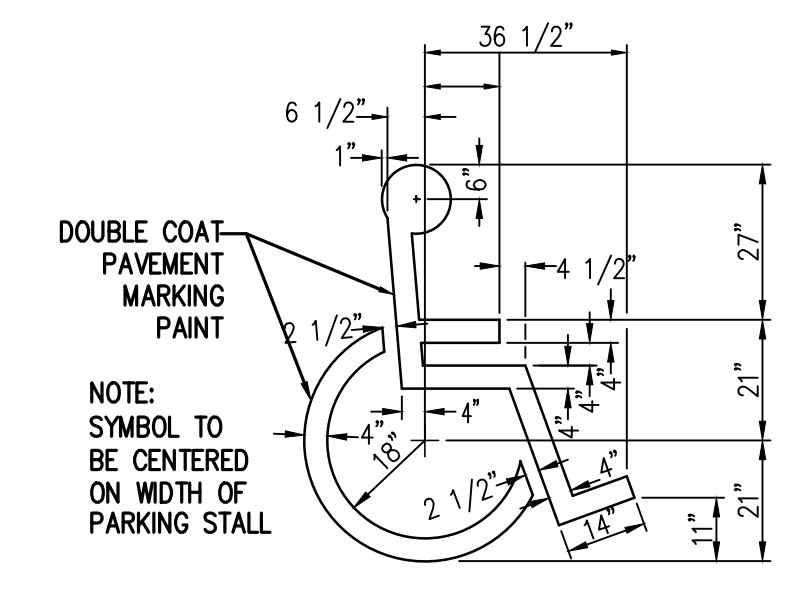


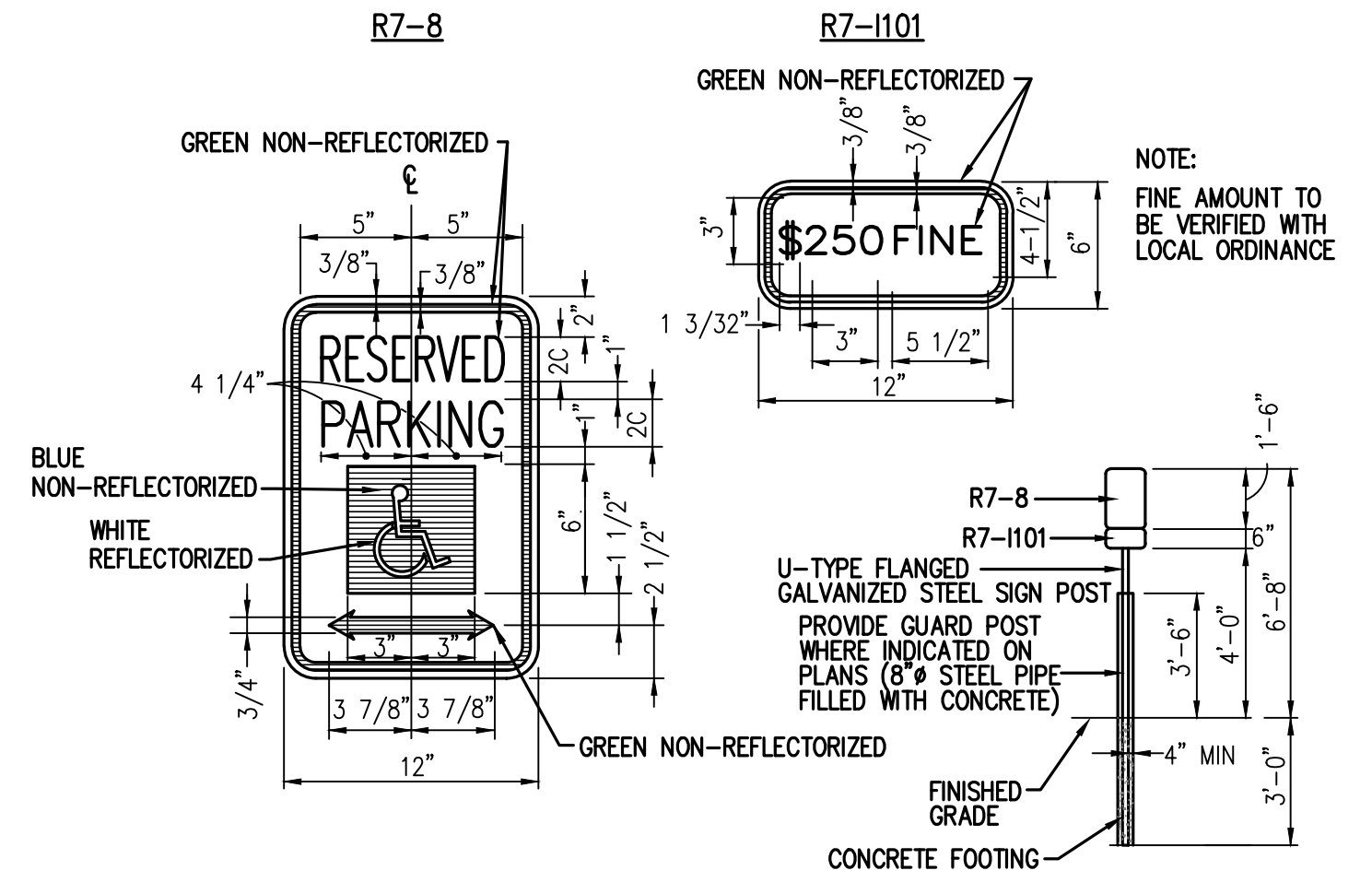
| Rev. | Date | Description |
|------|----------|----------------|
| 1 | 10.22.13 | City Revisions |



AREA CALCULATIONS
 TOTAL SITE = 21,513.10 SF (0.494 AC.)
 EXISTING PERVIOUS AREA = 1,138.32 SF (0.026 AC.)
 EXISTING IMPERVIOUS AREA = 20,374.78 SF (0.468 AC.)
 PROPOSED PERVIOUS AREA = 5,222.78 SF (0.120 AC.)
 PROPOSED IMPERVIOUS AREA = 16,290.32 SF (0.374 AC.)



HANDICAPPED PAINTED SYMBOL
 NTS



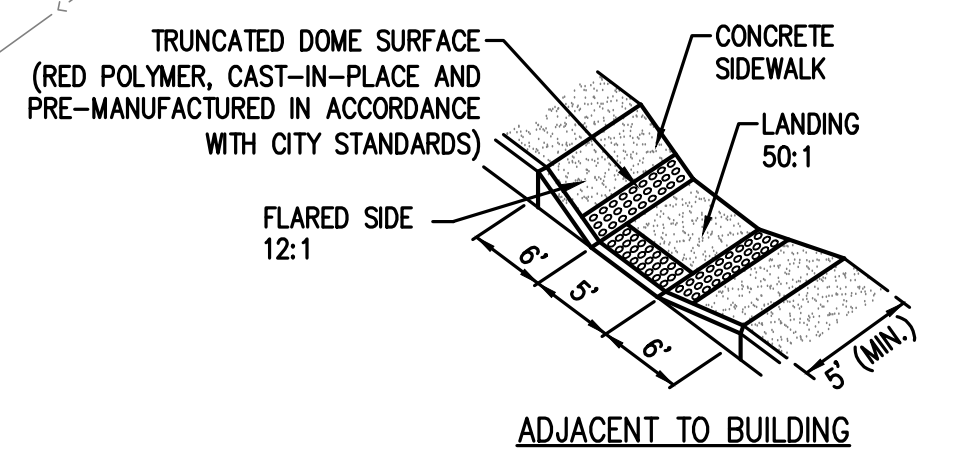
HANDICAPPED PARKING SIGNS
 NTS

PAVEMENT NOTES:

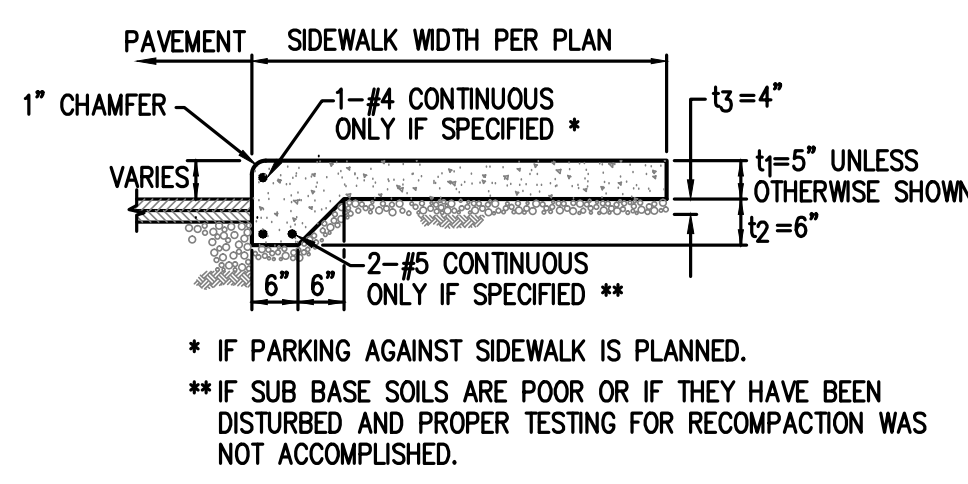
- SEE ARCHITECTURAL DRAWINGS FOR BUILDING DIMENSIONS.
- ALL DIMENSIONS ARE FROM BACK OF CURB TO BACK OF CURB OR PROPERTY LINE UNLESS OTHERWISE NOTED.
- ALL PARKING STALL STRIPING TO BE 4" WIDE YELLOW OR WHITE PAINT, MEETING MoDOT SPECIFICATIONS.
- ALL NON PAVED AREAS DISTURBED OR REGRADED SHALL BE BACKFILLED WITH A MINIMUM OF 6" TOPSOIL AND SEEDED.
- TIE NEW CURB TO EXISTING CURB WITH 2-#4 REBARS (24" LONG, 12" ON EITHER SIDE) EPOXIED INTO EXISTING.
- ALL B6.12 CURB AND GUTTER SHALL BE STANDARD PITCH UNLESS OTHERWISE NOTED ON THE PLANS.

SURFACE LEGEND

- ASPHALT PAVEMENT**
 1.5" HMA SURFACE COURSE
 2.25" HMA BINDER COURSE
 8" COMPACTED MoDOT TYPE 1 AGGREGATE BASE
- CONCRETE SIDEWALK**
 5" P.C. CONCRETE (4,000 PSI MIX)
 4" COMPACTED MoDOT TYPE 1 AGGREGATE BASE
- CONCRETE PAVEMENT**
 8" P.C. CONCRETE (4,000 PSI MIX)
 6" COMPACTED MoDOT TYPE 1 AGGREGATE BASE



SIDEWALK HANDICAP RAMP
 NTS



SIDEWALK SECTION AS CURB AGAINST PAVEMENT
 NTS